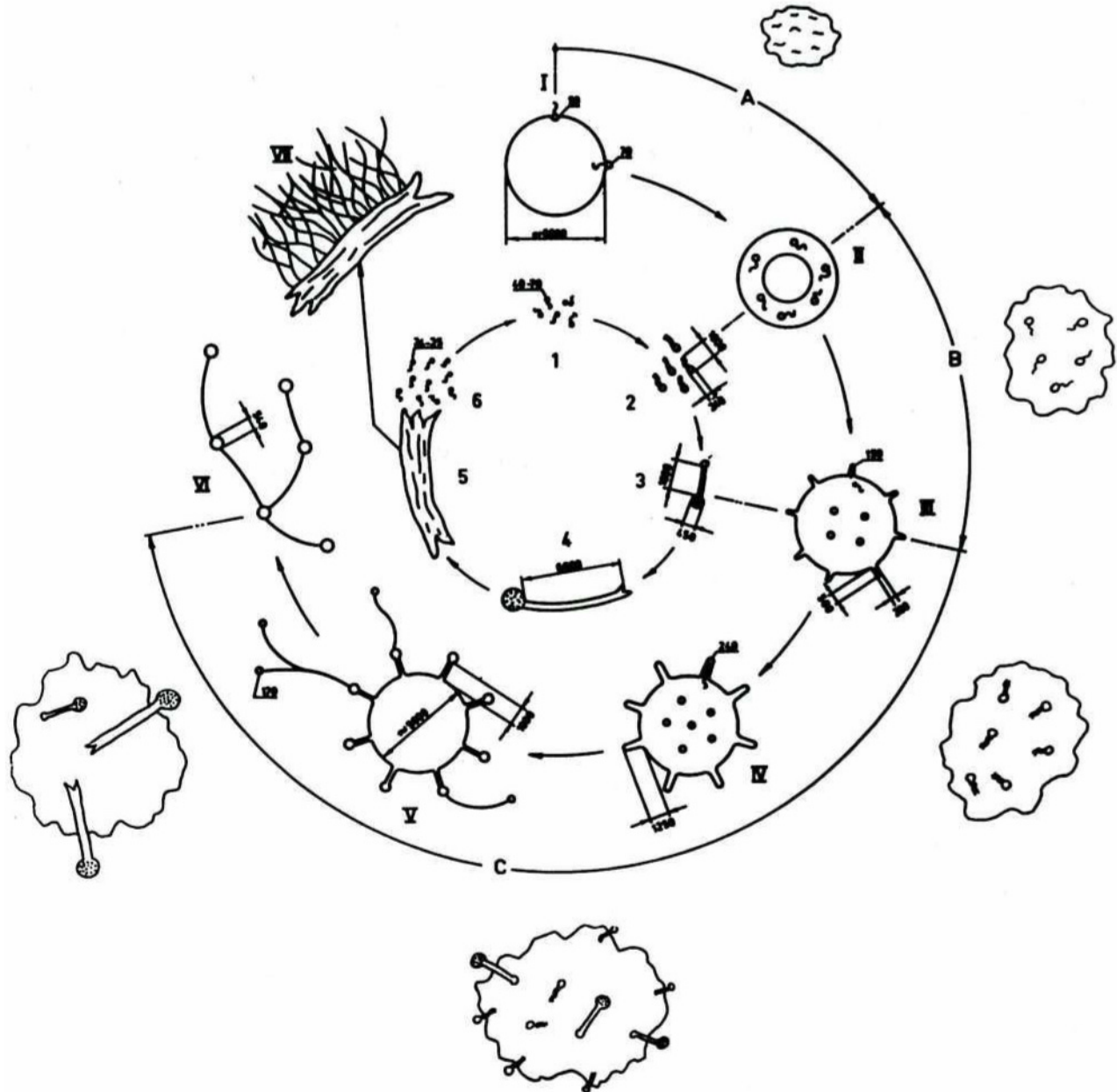


## The Olbrich “Sanguinogramm”: An attempt to achieve a standardization of measurements.

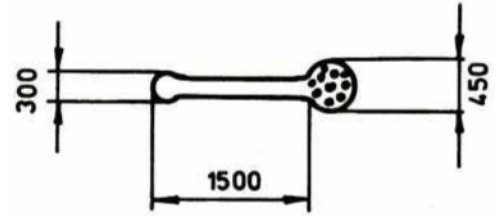
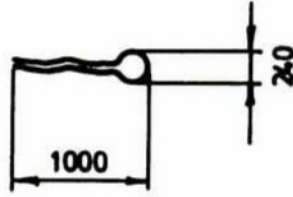


Kurt Olbrich has investigated the pleomorphic blood phenomena, found in precancerous and cancer patients, in great depth. As a result of his observations, he has prepared a ‘Sanguinogramm’ where morphological phenomena have been carefully measured and recorded in nanometer (nm) units for standardization. Olbrich describes the oncogenous blood parasite as a “cancer virus”, a term initially chosen by Olbrich as it was observed to be a virus-like organism.

**Inner circle:** Isolated cancer viruses. **Outer circle:** Reaction of phagocytes. **A:** Normal conditions. **B:** Enlargement of phagocytes. **C:** First of all the phagocytes attempt to remove the cancer virus. Finally, after increasing their size, the viruses are released into the plasma and can then attack further cells (blood/tissue).

Basic requirements for preparing the ‘Sanguinogramm’ is the ability to be able to record images of living phenomena found in blood in real time. This is possible by use of the Grayfield contrast method (developed by Olbrich) under normal white light, magnification of at least 25000:1 with corresponding true resolution capacity (Ergonom 400!), suitable video equipment with a high-resolution video camera of broadcast quality (resolution of at least 600 lines), monitor with a horizontal screen size of at least 40 cm (pixel resolution better than 0.3mm). Use of such equipment allows for measurable freeze-frame images from moving objects to be created in true color without any significant electronic falsification.

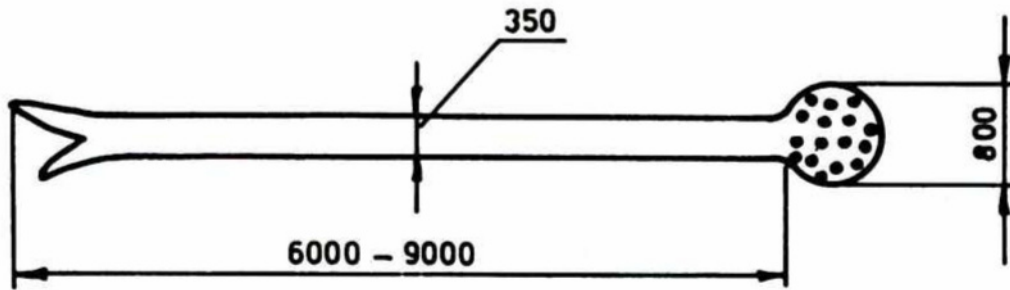
**Cancer Pathogens that can be seen and measured: Olbrich's original illustrations.**



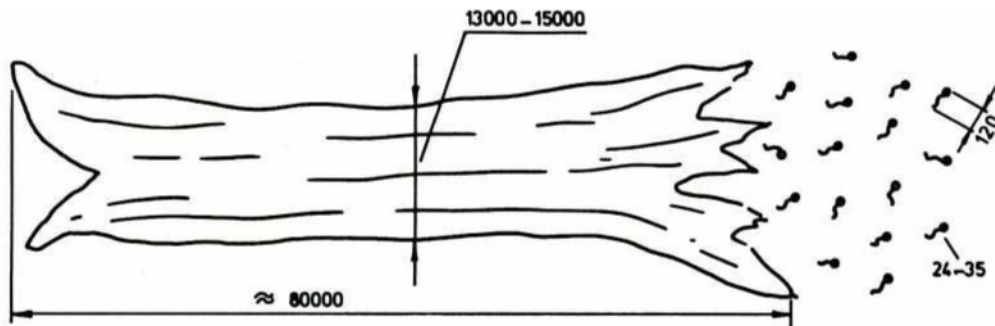
Potential cancer viruses as found in all blood. Their "heads" measure from 40-70 nm and they have a simple flagellum.

The average "head" measurement is now about 240 nm; the complete length including the doubled flagellum is about 1000 nm. This is the state then where there is weakening of the immune system, e.g. a bad case of influenza. As soon as this has passed, the original state is automatically re-established and viruses with twin flagella die.

This phase has been called "B" by Kurt Olbrich. This phase begins when a weakened immunity system is present over a longer period of time. The "head" has an approximate diameter of 450 nm. The total length, without the head, is about 1500 nm. A club shaped formation is created. In the head new infectious particles can already be detected.

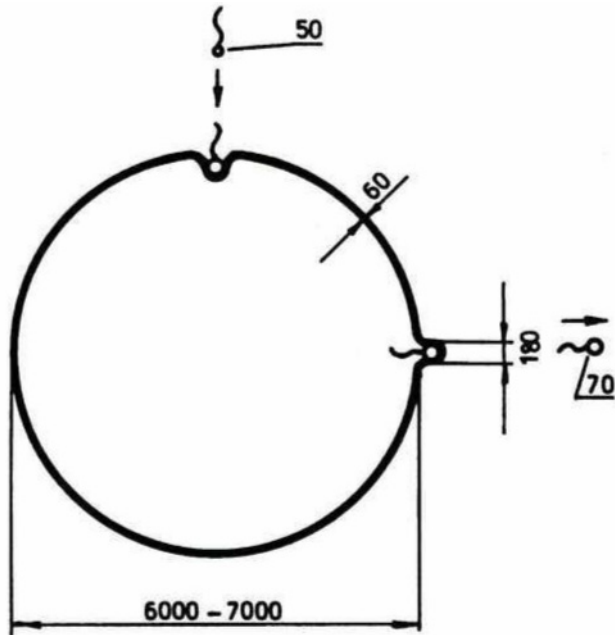


Here a total length of about 6000 nm has been attained. The head measures about 1000 to 1500 nm. The development of new viruses can be clearly seen here. The end is formed rather like a moraine and attaches itself to nerve surfaces, probably in order to absorb correspondingly more nutrition than is available in the serum.

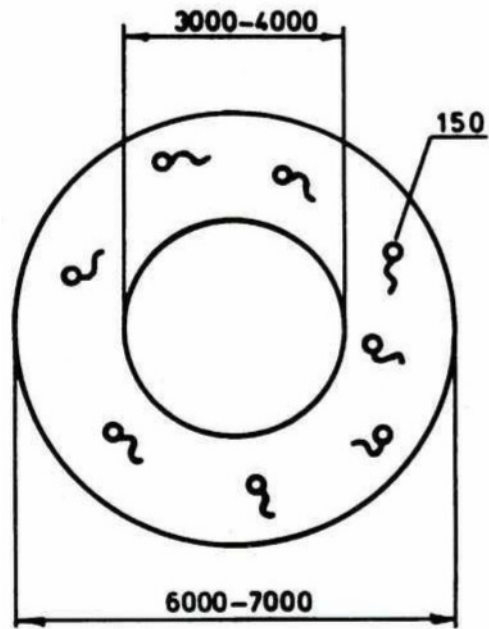


The formations are developing further. Once a total length of about 10  $\mu\text{m}$  has been reached, the circular head formation explodes and the young viruses, with a head diameter of about 24 to 35 nm and a simple flagellum, emerge. The inner circle is thereby complete.

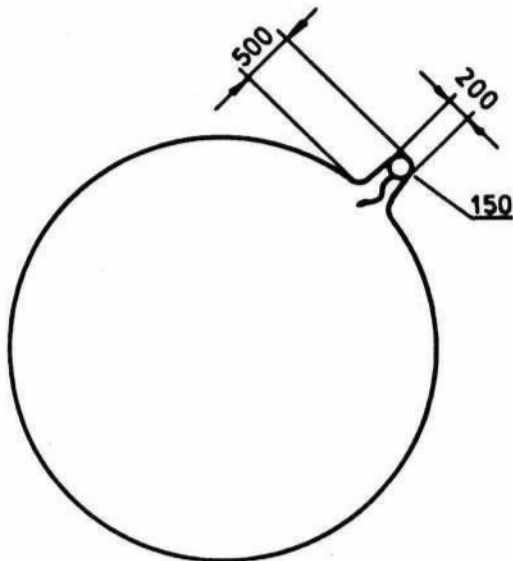
**Erythrocytes are attacked and become “nutrients”.**



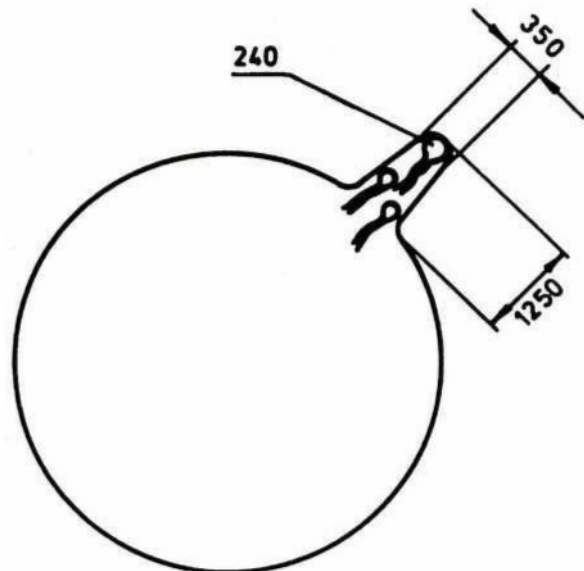
Here the erythrocytes are depicted as symbols with an exterior measurement of about 6000 nm. The “cancer viruses”, with a head measurement of up to 50 nm, can penetrate through the surface of the membrane into the erythrocytes. They can emerge again up to a head measurement of 70 nm.



Here are blood cells with the enclosed cancer viruses, which have a head measurement of over 90 nm. It could not be established if the flagellum is single or double at this stage, either way, a flagellum is present.

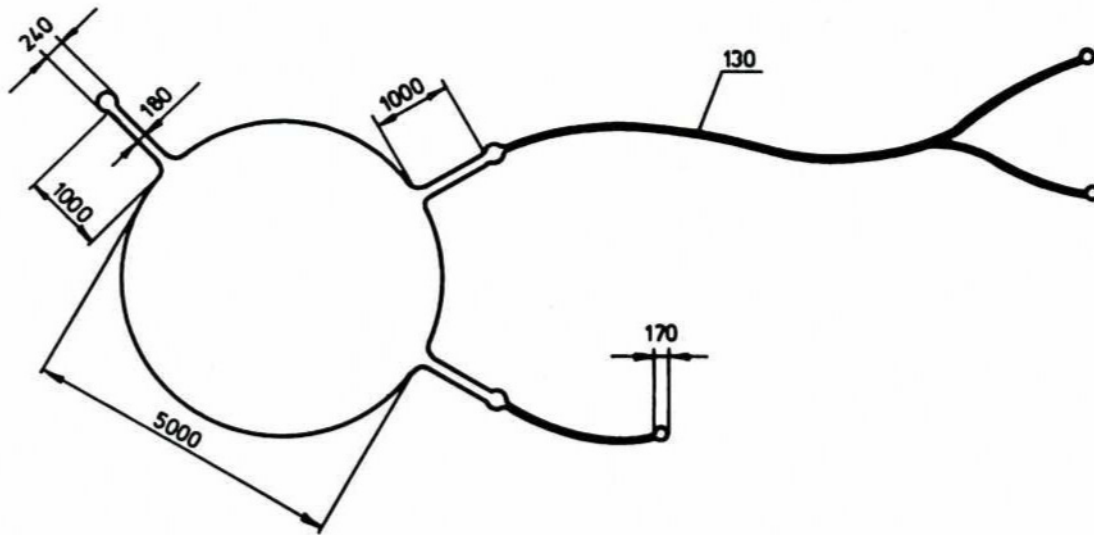


Here, the viruses try to pass through the surface of the membrane from inside to the outside. At this stage the head size is about 150 nm and the outlet has a diameter of about 200 nm and a length of about 500 nm.

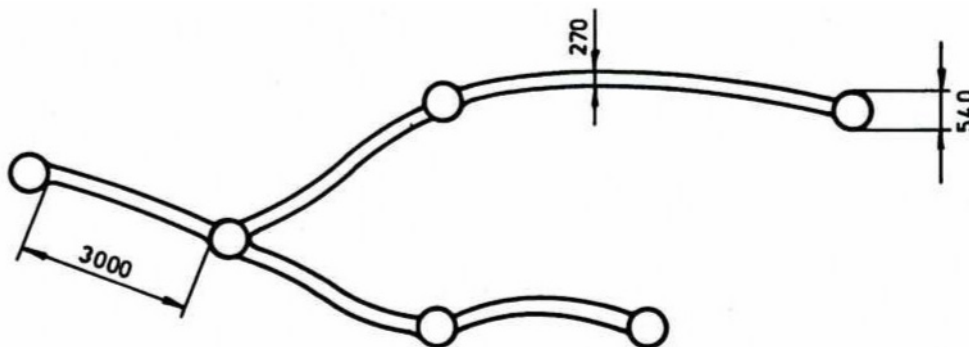


The development continues. The external measurement of the viruses (it could not be determined if these have not now developed into spores) is about 240 nm and the length of the outlet bulge is about 1250 nm.

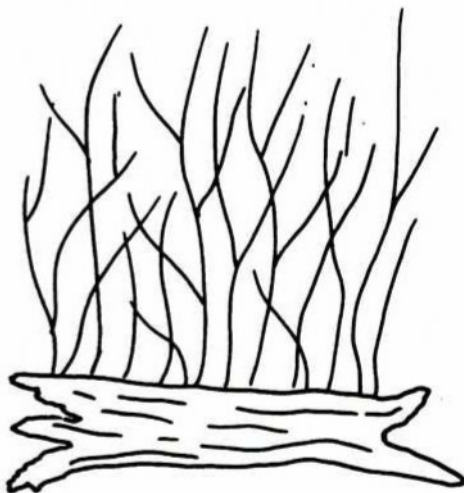
## Cancer Parasites grow into fungal mycelia.



Here the diameter of the erythrocyte is only about 500 nm whereas the outgrowths are still about 1000 to 1250 nm. However, strong ball-shaped formations are now developing at the ends.



Here the fungi threads separate from the erythrocytes. The ball-shaped formations have a diameter of about 540 nm.



From the shell number 5 (of the inner circle), fungal threads are now formed. This is most likely the stage where the metastases enter the blood.